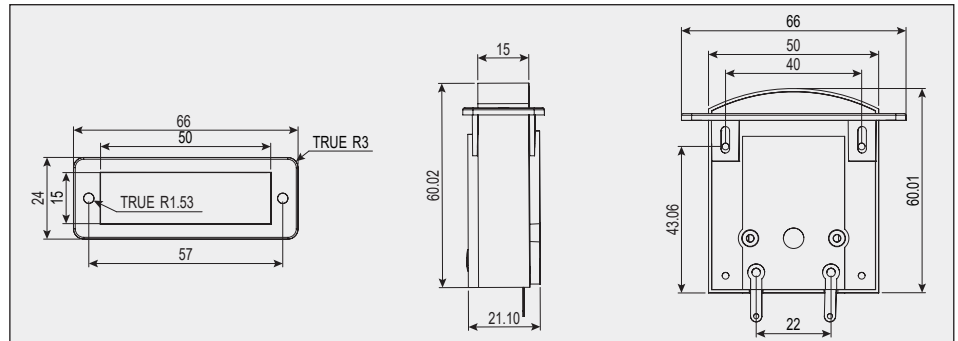


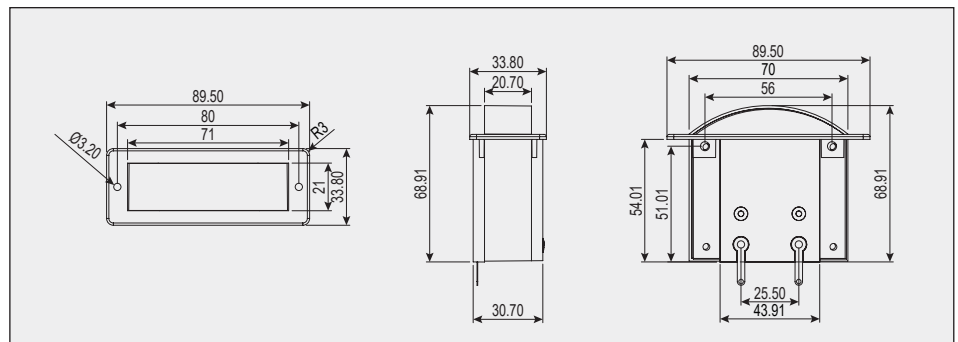
Thin Edgewise



ST-50E



ST-70E



- **Movement** : ST-50E, ST-70E pivot & jewel
- **Accuracy** : $\pm 2.5\%$
- **Mounting** : Horizontal or Vertical
- **Pointer** : Tube (Red)
- **Full Scale Deflection** : 60°
- **Measuring Range** : F.S. 1mA DC (Customer's specs are available)